

# 33 Lock

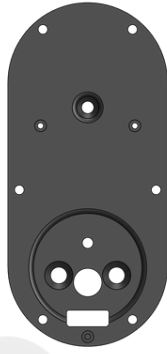
## IntelliBolt 2



## Contents



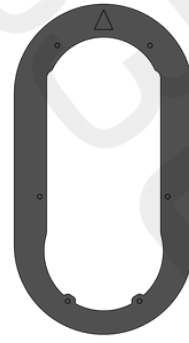
Back Escutcheon



Back Plate



Back Gasket



Front Gasket



Front Escutcheon

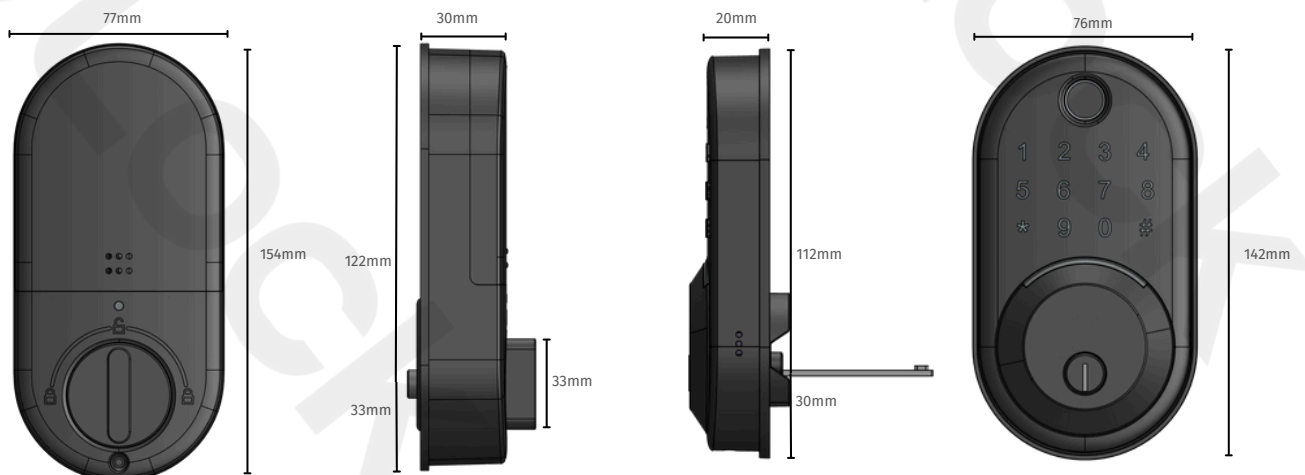


**Note that the kit may come with additional parts, but only requires the below:**

1x adjustable deadbolt, 1x strike plate, 4x 20mm wood screws, 2x 55mm bolts, 3x 9mm black screws, 3x mifare tags, 2x metal keys (keyed alike)

**Requires 4x AA batteries - Batteries not included**

## Dimensions



# Specifications

## Credentials

PIN Code (150), MIFARE 13.56 Mhz (200), Digital Key (300), Fingerprint (200)

WiFi Open, API Open, Mechanical Key

App and Cloud management, iOS, Watch OS, Android

Credentials stored on lock, online and offline operation

## Features

Power: 6V 4x AA non-rechargeable alkaline batteries, USB-C backup power

Temperature: -25C to 55C, Humidity: 0% to 95%

Waterproof: IP55, 200 hour salt spray

Finishes: satin black

Interface: touchscreen

Levers: tubular straight, tubular return

## Mechanical

Materials: body - aluminum alloy, interface - plastic ABS

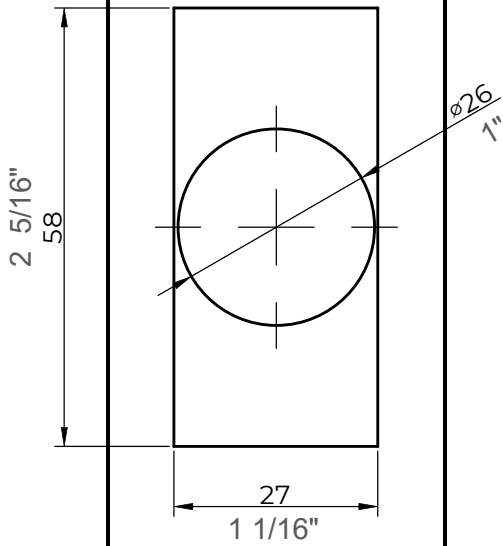
Chassis: US tubular latch, field reversible

Key cylinder: internal, keyed different

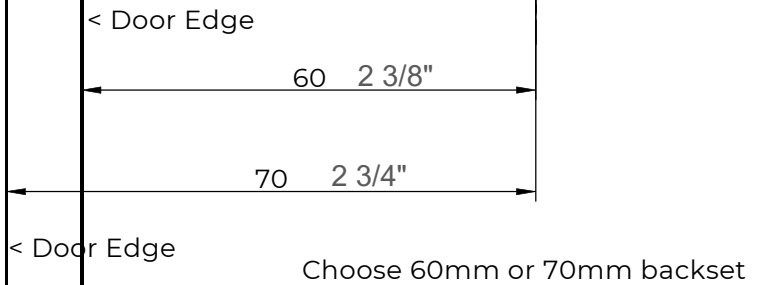
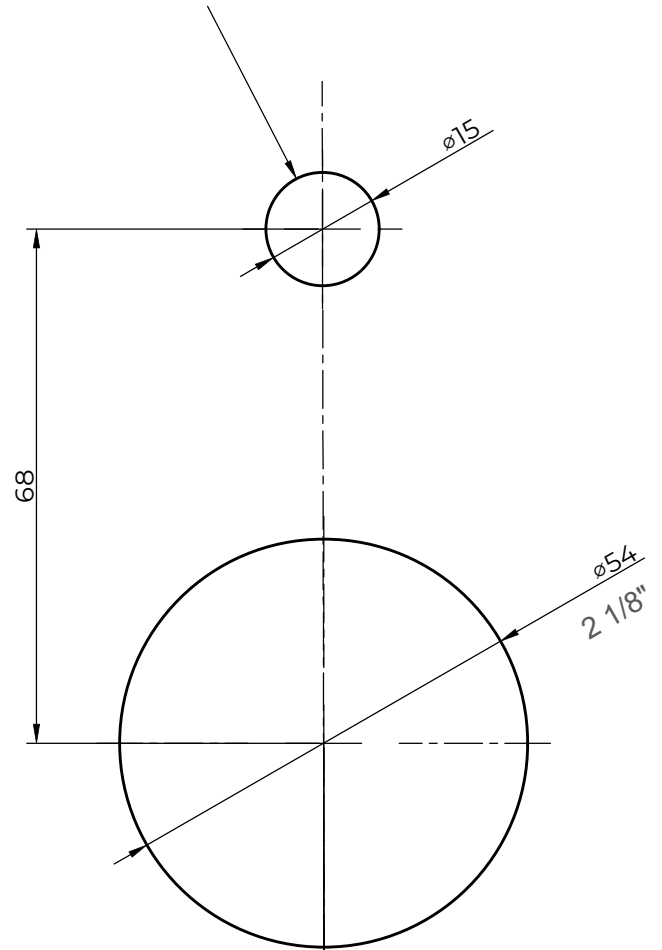
Door thickness: 35mm (1 3/8") to 65mm (2 1/2")

Backset: 60mm (2 3/8") or 70mm (2 3/4")

PDF door templates are on our website in our help docs, and can be printed on a 8.5" x 11" sheet of paper.

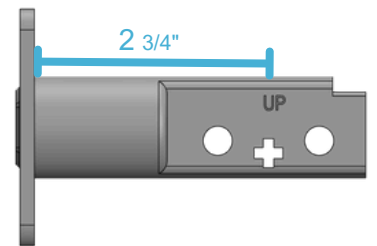
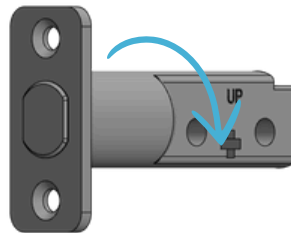
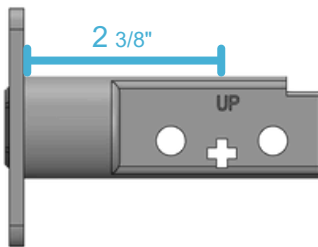
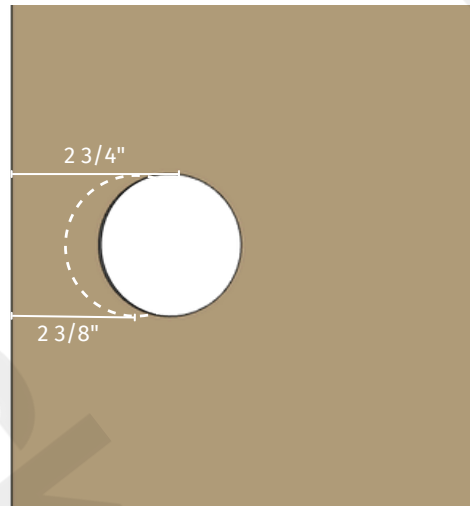


Optional hole for reinforcement



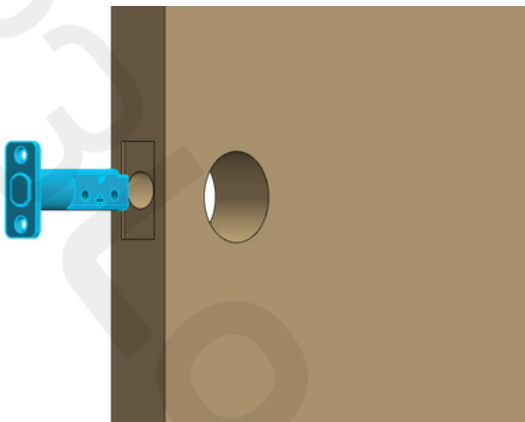
## Adjusting the Backset

The IntelliBolt 2 can accommodate either a 70mm (2 ¾") backset or a 60mm (2 ⅜") backset. Default is 2 ⅜", to change to 2 ¾" follow the steps below.

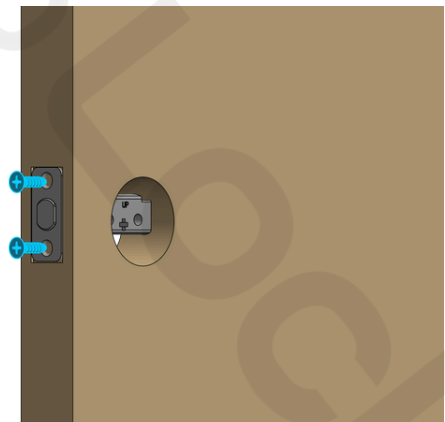


To adjust the deadbolt to accommodate a 2 ¾" backset, twist the barrel in a clockwise rotation.

## Inserting the Deadbolt

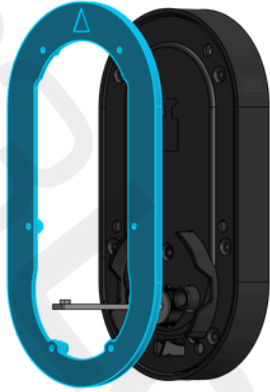


1) Insert the deadbolt into the side of the door. Make sure the "top" is facing up.

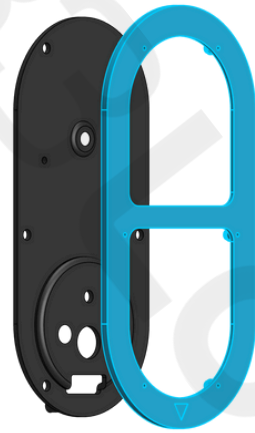


2) Use two 20mm wood screws to secure the deadbolt.

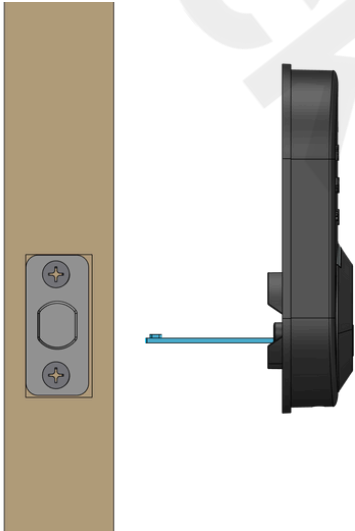
## Installing the Lock



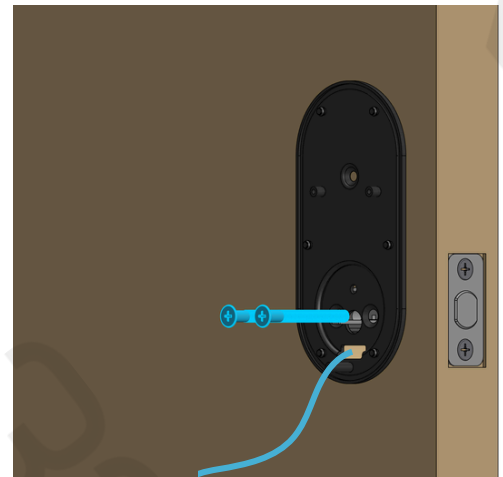
1) Press the rubber gasket into place on the front escutcheon, ensure the arrow is facing “up”.



2) Press the rubber gasket into place on the back plate. For this one, the arrow should face “down”.



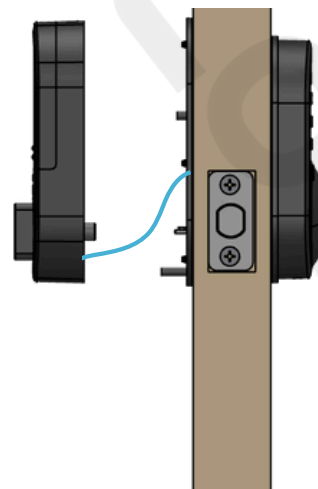
3) Insert the tailpiece through the deadbolt and install the front escutcheon, ensuring the tailpiece is horizontal.



4) Feed the cable through the slot and thread the 2x 55mm bolts through the backplate into the front escutcheon, then tighten.



5) Adjust the thumb turn so that it's in the vertical, “unlocked” position.



6) Attach the cable to the back escutcheon and then press on to the back plate.

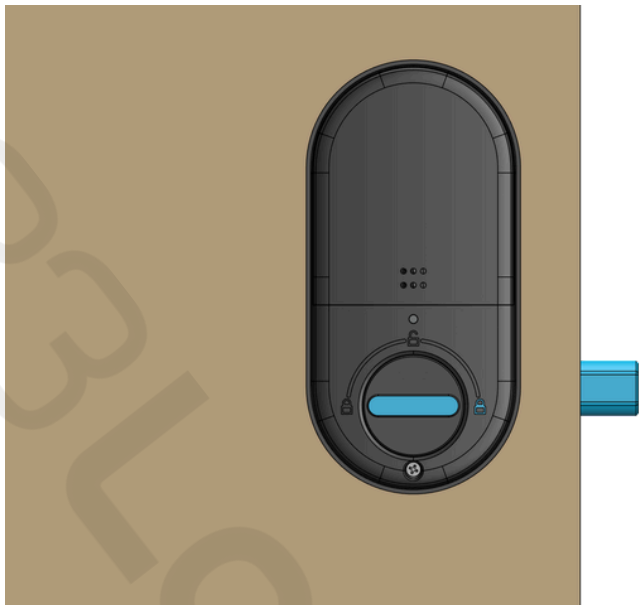
## Installing the Lock



7) Remove the battery cover. Attach the back escutcheon by fastening the 3x 10mm black screws into the backplate



8) Insert 4x AA batteries and then slide on the battery cover. Note, batteries are not included.



9) Turn the thumb turn so that it's horizontal, the deadbolt should extrude out.



10) Turn the thumb turn so that it's vertical, the deadbolt should recess in.

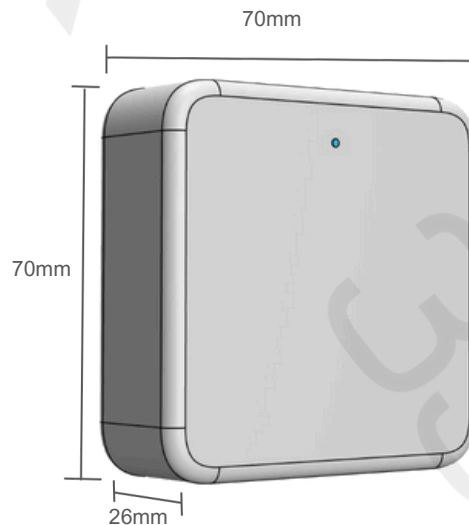
# Gateway Setup

**IMPORTANT:** IntelliHub gateways are only required if **online** capabilities are desired. They are not required to operate an **offline** system.

The network gateway is available in two versions: **ethernet** and **wifi**. Please select the appropriate setup for your property based on the building's network infrastructure. In many cases, a combination of both ethernet and wifi versions ensures optimal flexibility and coverage. We recommend consulting with a 33 Lock representative for expert advice prior to installation.

The gateways establish a mesh network with the locks, enabling a **many-to-many** connection. If enhanced performance or extended coverage is needed, additional gateways can be added at any point in time.

Gateways can be installed in either the **common areas** (hallways) or inside **suites**, or a **combination** of the two. If installing in rooms, it is recommended to install 1 gateway per 1 lock (1:1). If installing in hallways, a higher ratio can likely be achieved such as a 2:1 or 3:1.



## Ethernet Version

Power - USB-C or PoE

Power input - 5V/500mA

Network interface - RJ45

IEEE standard - 802.3

Communication protocol - Bluetooth (BLE)

Communication range - Maximum 10m line of sight

Locks to gateways ratio - Many-to-many

## Wifi Version

Power - USB-C

Power input - 5V/500mA

Network interface - WIFI 2.4 ghz only

IEEE standard - 802.11 b/g/n

Communication protocol - Bluetooth (BLE)

Communication range - Maximum 10m line of sight

Locks to gateways ratio - Many-to-many

TTLOCK software seamlessly integrates with your 33 Locks, representing the epitome of modern access control. Experience a harmonious blend of cutting-edge technology and unparalleled convenience, empowering you with complete control over your day-to-day operations. Unlock a new era of access management with TTLOCK and 33 Lock.

***IMPORTANT: To enable many of the functionalities of your 33 Locks, they need to be configured on the TTLOCK platform. Simply download the complimentary TTLOCK app and follow the provided instructions below to connect them.***

### DOWNLOAD THE FREE TTLOCK APP

Available on both the App Store and Google Play



Once you have downloaded the app, sign up for a free account if you don't already have one.

***NOTE: If you are an installer and already have an existing account, it is okay to set the locks up on your account, and then transfer ownership of the locks at a later time. Instructions for how to***

## Connecting Locks:

Before adding locks through the app, ensure the lock is securely installed on the door, and the batteries are inserted. It is recommended to connect one lock at a time.

### To connect a lock:

1. Open the TT Lock app.
2. Tap the ⊕ in the middle to add the first lock.
3. Select 'Door Lock'.
4. Tap any key on the lock to activate pairing mode.
5. Tap 'Next' to scan and display nearby locks.
6. Select the lock you want to add by pressing '+'.
7. Assign a name to the lock and press 'OK'.
8. Tap lock 'Settings', set Remote Unlock to 'On'.
9. In the same 'Settings' menu, tap 'Firmware Update,' and then tap 'Check for Update' and update to the latest version.

### To connect additional locks:

1. Tap ≡ in the top left corner to open the slide out
2. Tap '+ Add Lock'.
3. Repeat steps 3 through 9 above.

## Connecting Gateways:

Before proceeding, please ensure the following:

- If you are using the wifi version of the gateway, your network needs to support a 2.4GHz frequency for proper connection.
- If you are using the ethernet version of the gateway, be sure to configure
  - your firewall settings to permit the device to establish a connection to your network.
  - It is recommended to have a dedicated SSID for your devices to enhance security and performance.
  - For optimal connectivity, the gateway should be located within 6 meters (20 feet) of the lock and preferably in direct line-of-sight.
  - It's recommended to set up one gateway at a time and ensure that locks are added before configuring the gateways.

### To connect a gateway:

1. Connect the gateway to a power supply (USB or PoE).
2. Tap on the ≡ menu.
3. Tap 'Gateway'.
4. Select the gateway type → G2 for WiFi or G3 for PoE.
5. Once the gateway LED is flashing red and green, tap 'Next'.
6. App will scan and show all nearby gateways.
7. Select the gateway to onboard by pressing '+'.
  - 8. Enter WiFi name and password, if applicable.
  - 9. Assign a name to the gateway and tap 'OK'
10. Once the gateway is added, go to the ≡ menu.
11. Locate the gateway and confirm it is online.
12. Tap 'Nearby Locks' to view the connected devices and relative signal strengths.

## Testing:

A many-to-many relationship exists between locks and gateways, effectively creating a mesh network of interconnected devices. This means that you can associate multiple locks with a single gateway, and conversely, multiple gateways can be associated with a single lock.

### Determine connection strength:

1. Tap on the ≡ menu.
2. Tap 'Gateway'.
3. Select a gateway .
4. Tap 'Nearby Locks'.
5. Evaluate the signal strengths of each connected lock, and consider a signal strength rated as 'medium' or higher as acceptable.
6. Repeat this procedure for each gateway in the list, ensuring that every lock maintains a minimum of a 'medium' connection to at least one gateway.

In cases where certain locks fall short of the requirement for at least one 'medium' connection, consider relocating the nearest gateway to a more favorable position. Alternatively, you can introduce an additional gateway closer to the affected locks to enhance the connection strength.

### Transferring Locks and Gateways:

If you are an installer and are looking to transfer ownership of the locks and gateways to a client, follow these steps below:

1. Tap on the ≡ menu.
2. Tap on 'Settings'
3. Tap 'Transfer Lock(s)'
4. Select the locks you want to transfer, then tap 'Next'.
5. Enter in the email or phone number of the recipient.
6. To transfer gateways, repeat steps 1 & 2, then tap 'Transfer Gateway', and follow similar steps to transferring locks.